

## CYKEO-GT3A

## COMPACT RFID TOOL CABINET



The CYKEO-GT3A Compact RFID Tool Cabinet delivers industrial-grade tool management in a space-saving design. Featuring ISO 18000-6C UHF RFID and 10.1" touchscreen, it achieves 100% tool visibility in 872.9×650×580mm dimensions. Its 5-layer adjustable shelving and 1.2mm carbon steel construction ensure durability for 24/7 unmanned operation in workshops or semi-outdoor areas.

- 10.1-inch capacitive touch screen with 1366 × 788 resolution
- RFID technology 840~960MHz optional, support protocol extension
- Multiple interfaces: RJ45, wifi, 4G, alarm input etc
- Support multiple cabinets in parallel, optional Windows/Android system
- Support automatic record receiving, return, constant temperature dehumidification preservation, regular calibration and inspection reminder

## ● Specification

Model	CYKEO-GT3A
<b>  RF SPECIFICATION</b>	
Identification Method	UHF
RF Chip	Impinj R2000
Frequency Range	840MHz~960MHz adjustable
Protocol	EPC C1G2, ISO 18000-6B, ISO 18000-6C
Capacity	5th floor
Product Capacity	1000 pcs (according of item size)
Read Range	5-50cm Adjustable
Scan Speed	≤5s/200pcs
Function	RFID read function, Multiple label identification, Label data filtering, RSSI perception, Quantity statistics
<b>  HARDWARE SPECIFICATION</b>	
System Support	Windows / Android (optional)
Hardware	I5 CPU, 4G RAM, 128G ROM RK3399 CPU, 4GRAM, 16G ROM (optional)
Display	1366 × 788, 10.1-inch capacitive touch screen ( 21-inch optional)
Communication	RJ45 10/100Mbps
<b>  FUNCTION SELECTION</b>	
RFID Card Reader	Standard
Bar Code	Optional
QR Code	Optional
Fingerprint Recognition	Optional
Face Recognition	Optional
Sound Light Alarm	Optional

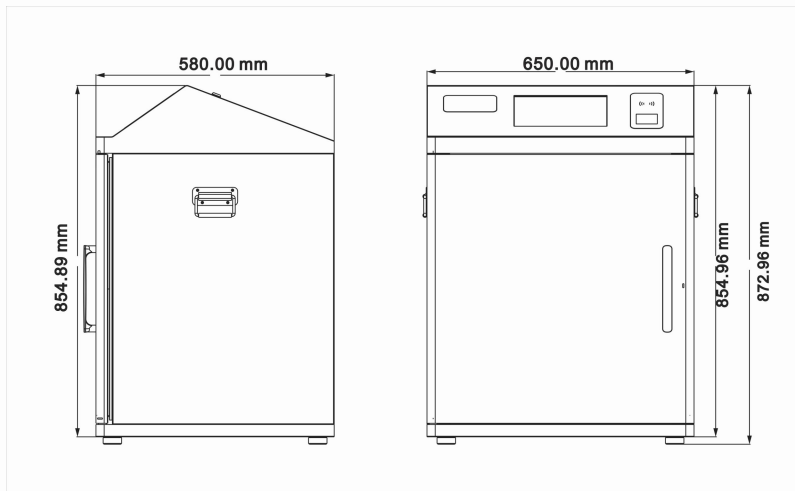


- **Related Model**

- **Common Solution**

Smart Library, Archival Room, Tool Room, Supermarket, etc.

- **Dimension**



Unit : mm (inch)  
Weight. : about 150kg

- **Accessory**

serial number	name	units	quantity
1	power supply	pcs	1



# RFID IoT Application



Need Advice



Subscribe

Follow us: [Cykeo](#)



## Headquarters

Cykeo Information Technology CO., LTD.  
16th floor, Building B2, Yunzhi Science Park, Guangming District,  
Shenzhen 518107, China

## Factory

Shenzhen, Dongguang, Hefei

## Subsidiary

Hefei Jianshen InformationTechnology Co.,  
LTD.  
Cykeo Information Technology(Shandong) Co., LTD.  
Cykeo Information Technology(Chengdu) Co., LTD.  
Cykeo Core Information Technology (Shanghai) Co., LTD.