

## CYKEO-TP2D

## COMPACT RFID TUNNEL READER



The CYKEO-TP2D Compact RFID Tunnel Reader is an intelligent, mid-scale verification gateway engineered for semi-automated inventory management. It features an enclosed reading chamber with an automated roller shutter door that ensures complete RF containment, eliminating stray reads from nearby items. The infrared-activated conveyor seamlessly transports items into the shielded chamber for accurate batch RFID scanning, then returns them after verification. With its 14-inch touchscreen interface and dual OS support, it streamlines check-in/check-out processes, reduces operator fatigue, and enhances inventory accuracy for small to medium-sized cartons.

- 14-inch capacitive touch screen
- Multiple communication interfaces: RJ45, RS232, USB, alarm input etc
- Support multiple devices in parallel, conveyor speed 33-50cm/s
- The screen generates lists in real time for easy management, optional Windows/Android system

## ● Specification

Model	CYKEO-TP2D
<b>  RF SPECIFICATION</b>	
Identification Method	UHF
RF Chip	Impinj R2000
Frequency Range	840MHz~960MHz adjustable
Protocol	EPC C1G2, ISO 18000-6B, ISO 18000-6C
Frequency Band (Optional)	ETSI: 865~868MHz, JP: 916.8~920.4MHz, TW: 922.25~927.75MHz, ID: 923.125~925.125MHz, RUS: 866.6~867.4 MHz, TEST:802.75~998.75MHz, JP_LBT: 916.8~920.8MHz
RFID Item Reader	33dbm+-1dbm (Max)
Read Rate	3 seconds
RFID Item Reader	400+ pcs
Function	RFID read function, Multiple label identification, Label data filtering, Quantity statistics,
<b>  HARDWARE SPECIFICATION</b>	
System Support	Windows / Android (optional)
Hardware	I5 CPU, 4G RAM, 128G ROM RK3399 CPU, 4GRAM, 16G ROM (optional)
Display	10.1-inch capacitive touch screen
Communication	RJ45, RS232, USB
<b>  FUNCTION SELECTION</b>	
Sound Light Alarm	Standard
CCTV Camera	Optional
Wireless Network	WiFi / 4G

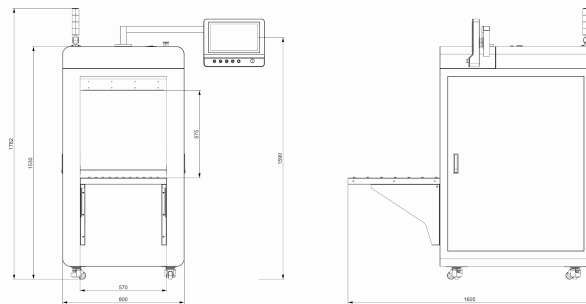


- Related Model

- Common Solution

Smart Library, Archival Room, Tool Room, Supermarket, etc.

- Dimension



Unit : mm (inch)  
 Weight. : about 150  
 kg

- Accessory

serial number	name	units	quantity
1	power supply	pcs	1



# RFID IoT Application



Need Advice



Subscribe

Follow us: [Cykeo](#)



## Headquarters

Cykeo Information Technology CO., LTD.  
16th floor, Building B2, Yunzhi Science Park, Guangming District,  
Shenzhen 518107, China

## Factory

Shenzhen, Dongguang, Hefei

## Subsidiary

Hefei Jianshen InformationTechnology Co.,  
LTD.  
Cykeo Information Technology(Shandong) Co., LTD.  
Cykeo Information Technology(Chengdu) Co., LTD.  
Cykeo Core Information Technology (Shanghai) Co., LTD.