

CYKEO-TP2C

RFID TUNNEL READER



The CYKEO-TP2C RFID Tunnel Reader is an advanced automated verification system engineered for modern logistics centers. Utilizing a sophisticated 4-antenna UHF RFID array and PLC-controlled conveyor system, it delivers unmatched efficiency in inventory management. The device automatically processes up to 400 items within 3 seconds through its infrared-activated tunnel system, while the 14-inch touchscreen provides real-time data validation and exception alerts. With support for both Windows and Android systems, it seamlessly integrates into existing warehouse workflows, significantly reducing operational costs while ensuring 99.9% inventory accuracy.

- 14-inch capacitive touch screen with 1366 × 768 resolution
- RFID technology 840~960MHz optional, support protocol extension
- Multiple communication interfaces: RJ45, RS232, USB, alarm input etc
- The screen generates lists in real time for easy management, optional Windows / Android
- Product appearance, function, protocols etc support customization

● Specification

Model	CYKEO-TP2C
 RF SPECIFICATION	
Identification Method	UHF
RF Chip	Impinj R2000
Frequency Range	840MHz~960MHz adjustable
Protocol	EPC C1G2, ISO 18000-6B, ISO 18000-6C
Frequency Band (Optional)	ETSI: 865~868MHz, JP: 916.8~920.4MHz, TW: 922.25~927.75MHz, ID: 923.125~925.125MHz, RUS: 866.6~867.4 MHz, TEST: 802.75~998.75MHz, JP_LBT: 916.8~920.8MHz
Product Capacity	1000 pcs (according of item size)
Recognition Response	1-5 seconds
Function	RFID read function, Multiple label identification, Label data filtering, RSSI perception, Quantity statistics
 HARDWARE SPECIFICATION	
System Support	Windows / Android (optional)
Hardware	I5 CPU, 4G RAM, 128G ROM RK3399 CPU, 4GRAM, 16G ROM (optional)
Display	1920 × 1080, 14-inch capacitive touch screen (21-inch optional)
Communication	RJ45 10/100Mbps
 FUNCTION SELECTION	
RFID Card Reader	Standard
Bar Code	Optional
QR Code	Optional
Fingerprint Recognition	Optional
Face Recognition	Optional

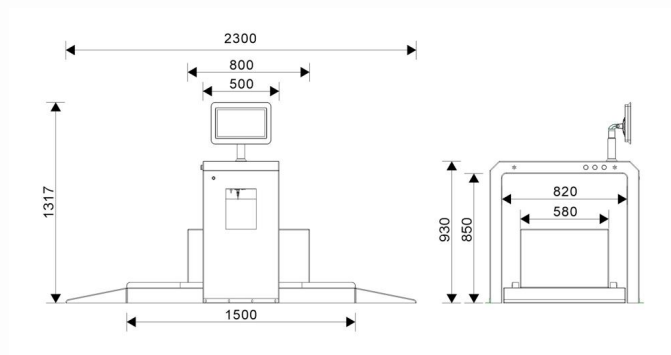
- **Related Model**

CYKEO-TP1

- **Common Solution**

Smart Library, Archival Room, Tool Room, Supermarket, etc.

- **Dimension**



Unit : mm (inch)
Weight. : about 150kg

- **Accessory**

serial number	name	units	quantity
1	power supply	pcs	1



RFID IoT Application



Need Advice



Subscribe

Follow us: [Cykeo](#)



Headquarters

Cykeo Information Technology CO., LTD.
16th floor, Building B2, Yunzhi Science Park, Guangming District,
Shenzhen 518107, China

Factory

Shenzhen, Dongguang, Hefei

Subsidiary

Hefei Jianshen InformationTechnology Co.,
LTD.
Cykeo Information Technology(Shandong) Co., LTD.
Cykeo Information Technology(Chengdu) Co., LTD.
Cykeo Core Information Technology (Shanghai) Co., LTD.