

CYKEO-M1

UHF Drone RFID Module



Applied to RFID tag reading, unique algorithm fast multi-tag identification, support data filtering, multi-protocol expansion

- Support fast dense reading and writing, multi-label recognition, tag data filtering, support anti-collision protocol
- RFID technology 840~960MHz optional, support protocol extension
- Multi-label recognition algorithm, which can identify more than 600 pcs/s. Can work with fixed frequency or frequency hopping, adjustable output power, adjustment step :1dBz
- Full band, high power, high sensitivity, power parity, and zero configuration can achieve the best performance

● Specification

Model	CYKEO-M1
 RF SPECIFICATION	
Identification Method	UHF
RF Chip	Impinj R2000
Frequency Range	840MHz~960MHz
Protocol	EPC C1G2, ISO 18000-6B, ISO 18000-6C, GB/T29768-2013 (optional)
Frequency Band (Optional)	ETSI: 865~868MHz, JP: 916.8~920.4MHz, TW: 922.25~927.75MHz, ID: 923.125~925.125MHz, RUS: 866.6~867.4 MHz, TEST: 802.75~998.75MHz, JP_LBT: 916.8~920.8MHz (Please tell our sales which band do you want before ordering)
Modulation mode	DSB-ASK, PR-ASK
RF Interface	1 MMCX
RF Interface Power	33dbm+-1dbm (Max)
R/W Capability	Read: 0-1500 cm ; Write: 0-700 cm ; 600+ pcs/s
Communication	15-PIN I/O
Function	RFID read & write, Multiple label identification, Label data filtering, Quantity statistics, RSSI perception, RF power regulation
 BASIC SPECIFICATION	
Material	Aluminum
Working Humidity	10%RH~90%RH
Operat Temperature	0 °C ~ 60 °C
Size	6.2 x 4.2 x0.7 cm

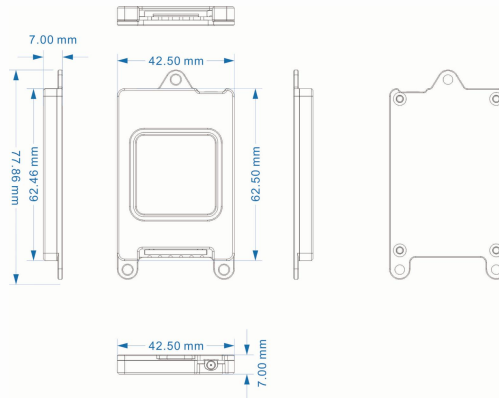
- Related Model

CYKEO-M4, CYKEO-M8, CYKEO-M16

- Common Solution

Smart Library, Archival Room, Tool Room, Supermarket, etc.

- Dimension



Unit : mm (inch)
Weight. : about 35g

- Accessory

serial number	name	units	quantity



RFID IoT Application



Need Advice



Subscribe

Follow us: [Cykeo](#)



Headquarters

Cykeo Information Technology CO., LTD.
16th floor, Building B2, Yunzhi Science Park, Guangming District,
Shenzhen 518107, China

Factory

Shenzhen, Dongguang, Hefei

Subsidiary

Hefei Jianshen InformationTechnology Co.,
LTD.
Cykeo Information Technology(Shandong) Co., LTD.
Cykeo Information Technology(Chengdu) Co., LTD.
Cykeo Core Information Technology (Shanghai) Co., LTD.