

CYKEO-GY3

Low-Value Consumables Cabinet



The CYKEO-GY3 Low-Value Medical Consumables Cabinet revolutionizes surgical inventory management with advanced RFID tracking and IoT connectivity. Featuring 14" HD touchscreen, 5-tier smart storage, and Windows/Android OS compatibility, it ensures real-time stock updates, automated replenishment alerts, and compliance with FDA 21 CFR Part 11. Designed for ORs and sterile environments, its 6,000+ tag/hour scanning capacity reduces stockouts by 70% while supporting HIPAA-compliant data encryption.

- 14-inch capacitive touch screen with 1920 x 1080 resolution
- RFID technology 840~960MHz optional, support protocol extension
- Multiple interfaces: RJ45, support wifi, 4G, alarm input etc
- Support multiple cabinets in parallel, optional Windows / Android system
- Support automatic record receiving, return, constant temperature dehumidification preservation, regular calibration and inspection reminder
- Product appearance, function, protocols etc support customization

● Specification

Model	CYKEO-GY3
 RF SPECIFICATION	
Identification Method	UHF
RF Chip	Impinj R2000
Frequency Range	840MHz~960MHz adjustable
Protocol	EPC C1G2, ISO 18000-6B, ISO 18000-6C
Frequency Band (Optional)	ETSI: 865~868MHz, JP: 916.8~920.4MHz, TW: 922.25~927.75MHz, ID: 923.125~925.125MHz, RUS: 866.6~867.4 MHz, TEST: 802.75~998.75MHz, JP_LBT: 916.8~920.8MHz
Product Capacity	500 pcs (according of item size)
Function	RFID read function, Multiple label identification, Label data filtering, RSSI perception, Quantity statistics
 HARDWARE SPECIFICATION	
System Support	Windows / Android (optional)
Hardware	I5 CPU, 4G RAM, 128G ROM RK3399 CPU, 4GRAM, 16G ROM (optional)
Display	1920 × 1080, 14-inch capacitive touch screen
Communication	RJ45 10/100Mbps
 FUNCTION SELECTION	
RFID Card Reader	Standard
Bar Code	Optional
QR Code	Optional
Fingerprint Recognition	Optional
Face Recognition	Optional
Sound Light Alarm	Optional

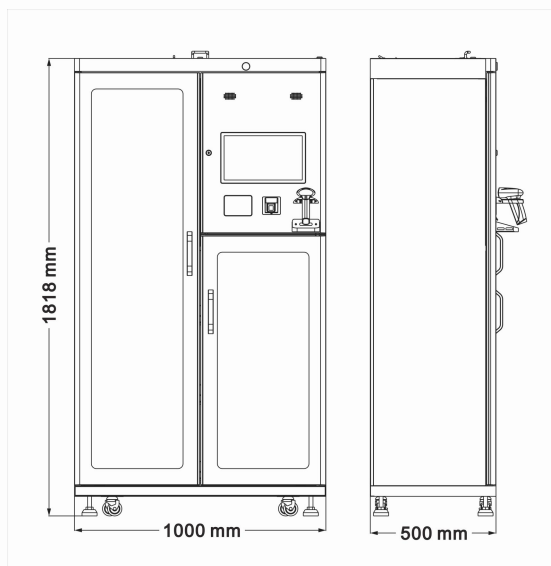
- Related Model

CYKEO-GY2, CYKEO-GY2B

- Common Solution

Smart Library, Archival Room, Tool Room, Supermarket, etc.

- Dimension



Unit : mm (inch)
Weight. : about 200kg

- Accessory

serial number	name	units	quantity
1	power supply	pcs	1



RFID IoT Application



Need Advice



Subscribe

Follow us: [Cykeo](#)



Headquarters

Cykeo Information Technology CO., LTD.
16th floor, Building B2, Yunzhi Science Park, Guangming District,
Shenzhen 518107, China

Factory

Shenzhen, Dongguang, Hefei

Subsidiary

Hefei Jiashen InformationTechnology Co.,
LTD.
Cykeo Information Technology (Shandong) Co., LTD.
Cykeo Information Technology (Chengdu) Co., LTD.
Cykeo Core Information Technology (Shanghai) Co., LTD.