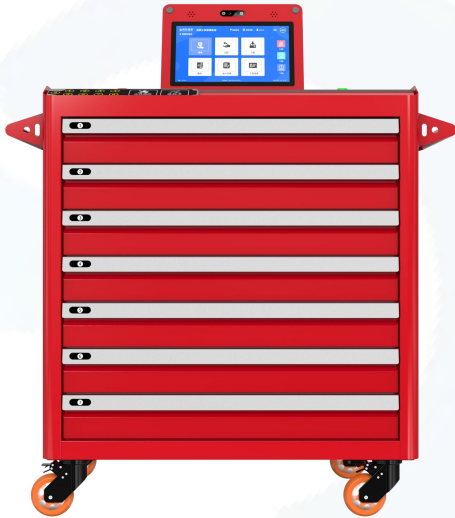


## CYKEO-GTC7A

## RFID Real-Time Tool Tracking Cart



The CYKEO-GTC7A Industrial RFID Tool Cart revolutionizes tool control in critical environments like aircraft hangars and power plants. Featuring ISO 18000-6C UHF RFID and dual-antenna scanning, it achieves 99.9% read accuracy even with densely packed tools. Its 1.2mm carbon steel construction and IP54-rated touchscreen withstand harsh conditions, while SAP/Oracle integration automates compliance reporting. The 10.1" HD interface supports face recognition and real-time alerts for missing tools, slashing FOD risks by 90%.

- 14-inch capacitive touch screen with 1280 × 800 resolution
- RFID technology 840~960MHz optional, support protocol extension
- Multiple interfaces: RJ45, wifi, 4G, alarm input etc
- Support Independent RFID record, optional Windows/Android system
- Saving manual inventory time and warehouse registration procedures, improve management and control efficiency, timely reminder of tool omissions to ensure safe use

## ● Specification

Model	CYKEO-GTC7A
<b>  RF SPECIFICATION</b>	
Identification Method	UHF
RF Chip	Impinj R2000
Frequency Range	840MHz~960MHz adjustable
Protocol	EPC C1G2, ISO 18000-6B, ISO 18000-6C
Frequency Band (Optional)	ETSI: 865~868MHz, JP: 916.8~920.4MHz, TW: 922.25~927.75MHz, ID: 923.125~925.125MHz, RUS: 866.6~867.4 MHz, TEST: 802.75~998.75MHz, JP_LBT: 916.8~920.8MHz
Product Capacity	300 pcs (according of item size)
Communication	RJ45 10/100Mbps
Function	RFID read function, Multiple label identification, Label data filtering, RSSI perception, Quantity statistics
<b>  HARDWARE SPECIFICATION</b>	
System	Windows / Android (optional)
Hardware	I5 CPU, 4G RAM, 128G ROM / RK3399 CPU, 4GRAM, 16G ROM (optional)
Display	1280 x 800, 14-inch capacitive touch screen (optional)
Communication	RJ45 10/100Mbps
<b> FUNCTION SELECTION</b>	
RFID Card Reader	Standard
Face Recognition	Optional
Bar Code	Optional
QR Code	Optional
Fingerprint Recognition	Optional
Sound Light Alarm	Optional



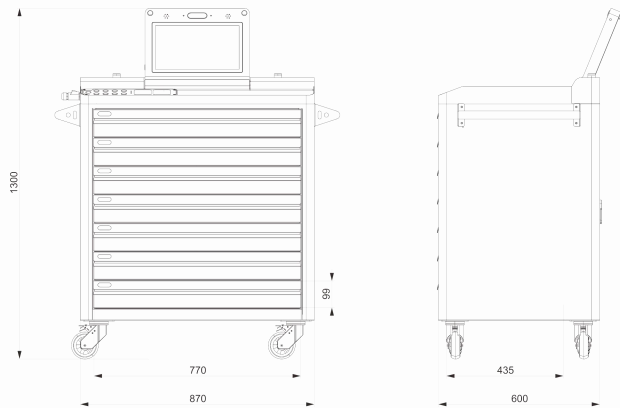
- **Related Model**

CYKEO-GTC7

- **Common Solution**

Smart Library, Archival Room, Tool Room, Supermarket, etc.

- **Dimension**



Unit : mm (inch)  
Weight. : about 200kg

- **Accessory**

serial number	name	units	quantity
1	power supply	pcs	1



# RFID IoT Application



Need Advice



Subscribe

Follow us: [Cykeo](#)



## Headquarters

Cykeo Information Technology CO., LTD.  
16th floor, Building B2, Yunzhi Science Park, Guangming District,  
Shenzhen 518107, China

## Factory

Shenzhen, Dongguang, Hefei

## Subsidiary

Hefei Jiانشen InformationTechnology Co.,  
LTD.  
Cykeo Information Technology (Shandong) Co., LTD.  
Cykeo Information Technology (Chengdu) Co., LTD.  
Cykeo Core Information Technology (Shanghai) Co., LTD.