

CYKEO-GTC5

PRISON RFID TOOL MANAGEMENT SYSTEM



The CYKEO-GTC5 RFID Intelligent Tool Cart revolutionizes prison tool management with its UHF RFID scanning zone (840-960MHz), enabling self-service check-in/out and real-time inventory. Featuring a 10.1" multilingual touchscreen (Windows/Android OS), 4-layer carbon steel storage, and 150W power efficiency, it ensures 10x faster audits and 5x reduced tool loss in high-security environments.

- 10.1-inch capacitive touch screen with 1366*768 resolution
- RFID technology 840~960MHz optional, support protocol extension
- Multiple interfaces: RJ45, wifi, 4G, alarm input etc
- Support multiple cabinets in parallel, optional Windows/Android system
- Support automatic record receiving, return, constant temperature dehumidification preservation, regular calibration and inspection reminder

- Specification

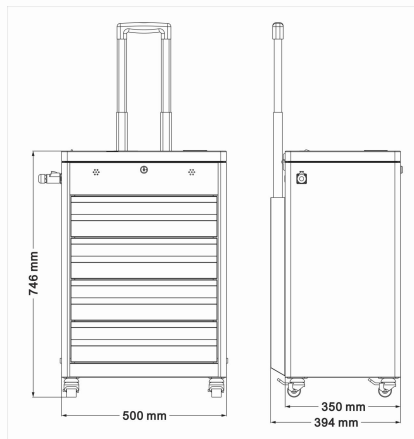
Model	CYKEO-GTC5
 RF SPECIFICATION	
Identification Method	UHF
RF Chip	Impinj R2000
Frequency Range	840MHz~960MHz adjustable
Protocol	EPC C1G2, ISO 18000-6B, ISO 18000-6C
Touchscreen	10.1" Touchscreen
Product Capacity	1000 pcs (according of item size)
Read Speed	1-3 sec
Read Range	5-50cm Adjustable
 HARDWARE SPECIFICATION	
System Support	Windows / Android (optional)
Hardware	I5 CPU, 4G RAM, 128G ROM RK3399 CPU, 4GRAM, 16G ROM (optional)
Display	1366 × 788, 10.1-inch capacitive touch screen (21-inch optional)
Communication	4G/Wired
 FUNCTION SELECTION	
RFID Card Reader	Standard
Bar Code	Optional
QR Code	Optional
Fingerprint Recognition	Optional
Face Recognition	Optional
Sound Light Alarm	Optional

- **Related Model**

- **Common Solution**

Smart Library, Archival Room, Tool Room, Supermarket, etc.

- **Dimension**



Unit : mm (inch)
Weight. : about 100kg

- **Accessory**

serial number	name	units	quantity
1	power supply	pcs	1



RFID IoT Application



Need Advice



Subscribe

Follow us: [Cykeo](#)



Headquarters

Cykeo Information Technology CO., LTD.
16th floor, Building B2, Yunzhi Science Park, Guangming District,
Shenzhen 518107, China

Factory

Shenzhen, Dongguang, Hefei

Subsidiary

Hefei Jianshen InformationTechnology Co.,
LTD.
Cykeo Information Technology(Shandong) Co., LTD.
Cykeo Information Technology(Chengdu) Co., LTD.
Cykeo Core Information Technology (Shanghai) Co., LTD.