

CYKEO-GTC4C

RFID Workshop Tool Control Cart



The CYKEO-GTC4C Industrial RFID Tool Cart is a high-efficiency mobile solution for tool tracking in aviation, power, and manufacturing industries. Equipped with UHF RFID (ISO 18000-6C), it enables 3-second inventory, automated check-in/out, and real-time alerts for missing tools. Its rugged 1.2mm carbon steel construction and 10.1" touchscreen ensure reliability in harsh environments. With 10+ hours of battery life, it's ideal for line-side tool management and FOD prevention.

- 10.1-inch capacitive touch screen with 1366 × 768 resolution
- RFID technology 840~960MHz optional, support protocol extension
- Multiple interfaces: RJ45, wifi, 4G, alarm input etc
- Support Independent RFID record, optional Windows/Android system
- Saving manual inventory time and warehouse registration procedures, improve management and control efficiency, timely reminder of tool omissions to ensure safe use

● Specification

Model	CYKEO-GTC4C
 RF SPECIFICATION	
Identification Method	UHF
RF Chip	Impinj R2000
Frequency Range	840MHz~960MHz adjustable
Protocol	EPC C1G2, ISO 18000-6B, ISO 18000-6C
Frequency Band (Optional)	ETSI: 865~868MHz, JP: 916.8~920.4MHz, TW: 922.25~927.75MHz, ID: 923.125~925.125MHz, RUS: 866.6~867.4 MHz, TEST: 802.75~998.75MHz, JP_LBT: 916.8~920.8MHz
Drawer Capacity	4 layers
Product Capacity	300 pcs (according of item size)
Communication	RJ45 10/100Mbps
Function	RFID read function, Multiple label identification, Label data filtering, RSSI perception, Quantity statistics
 HARDWARE SPECIFICATION	
System	Windows / Android (optional)
Hardware	I5 CPU, 4G RAM, 128G ROM / RK3399 CPU, 4GRAM, 16G ROM (optional)
Display	1366 x 768, 10.1-inch capacitive touch screen (optional)
Communication	RJ45 10/100Mbps
 FUNCTION SELECTION	
RFID Card Reader	Standard
Face Recognition	Optional
Bar Code	Optional
QR Code	Optional
Fingerprint Recognition	Optional

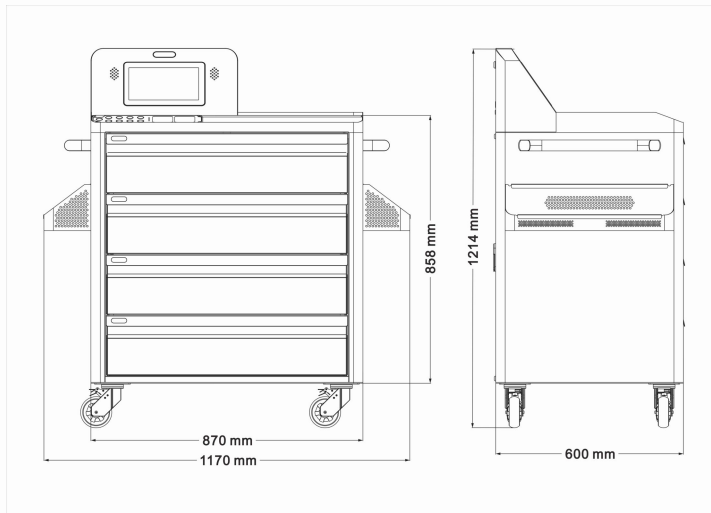
- **Related Model**

CYKEO-GTC7

- **Common Solution**

Smart Library, Archival Room, Tool Room, Supermarket, etc.

- **Dimension**



Unit : mm (inch)
Weight. : about 200kg

- **Accessory**

serial number	name	units	quantity
1	power supply	pcs	1



RFID IoT Application



Need Advice



Subscribe

Follow us: [Cykeo](#)



Headquarters

Cykeo Information Technology CO., LTD.
16th floor, Building B2, Yunzhi Science Park, Guangming District,
Shenzhen 518107, China

Factory

Shenzhen, Dongguang, Hefei

Subsidiary

Hefei Jiانشen InformationTechnology Co.,
LTD.
Cykeo Information Technology (Shandong) Co., LTD.
Cykeo Information Technology (Chengdu) Co., LTD.
Cykeo Core Information Technology (Shanghai) Co., LTD.