

## CYKEO-GTC4B

## RFID Mobile Tool Cart



The CYKEO-GTC4B Industrial RFID Cart features a rugged 1.2mm carbon steel construction with 4/8-layer modular drawers (724×443×146mm). Equipped with 10.1" sunlight-readable touchscreen and ISO 18000-6C compliant UHF RFID, it delivers 300-tool inventory in 7 seconds. Optional WiFi/4G connectivity and  $\leq 150W$  power efficiency enable true mobility for aviation and industrial applications.

- 10.1-inch capacitive touch screen with 1366 × 768 resolution
- RFID technology 840~960MHz optional, support protocol extension
- Multiple interfaces: RJ45, wifi, 4G, alarm input etc
- Support Independent RFID record, optional Windows/Android system
- Saving manual inventory time and warehouse registration procedures, improve management and control efficiency, timely reminder of tool omissions to ensure safe use

## ● Specification

|                                 |  |
|---------------------------------|--|
| Model                           | CYKEO-GTC4B  |
| <b>  RF SPECIFICATION</b>       |  |
| Identification Method           | UHF  |
| RF Chip                         | Impinj R2000   |
| Frequency Range                 | 840MHz~960MHz adjustable   |
| Protocol                        | EPC C1G2, ISO 18000-6B, ISO 18000-6C   |
| Frequency Band (Optional)       | ETSI: 865~868MHz, JP: 916.8~920.4MHz, TW: 922.25~927.75MHz, ID: 923.125~925.125MHz, RUS: 866.6~867.4 MHz, TEST: 802.75~998.75MHz, JP_LBT: 916.8~920.8MHz |
| Drawer Capacity                 | 4 layers   |
| Product Capacity                | 300 pcs (according of item size)   |
| Communication                   | RJ45 10/100Mbps  |
| Function                        | RFID read function, Multiple label identification, Label data filtering, RSSI perception, Quantity statistics  |
| <b>  HARDWARE SPECIFICATION</b> |  |
| System                          | Windows / Android (optional)   |
| Hardware                        | I5 CPU, 4G RAM, 128G ROM / RK3399 CPU, 4GRAM, 16G ROM (optional)   |
| Display                         | 1366 x 768, 10.1-inch capacitive touch screen (optional)   |
| Communication                   | RJ45 10/100Mbps  |
| <b> FUNCTION SELECTION</b>      |  |
| RFID Card Reader                | Standard   |
| Face Recognition                | Optional   |
| Bar Code                        | Optional   |
| QR Code                         | Optional   |
| Fingerprint Recognition         | Optional   |



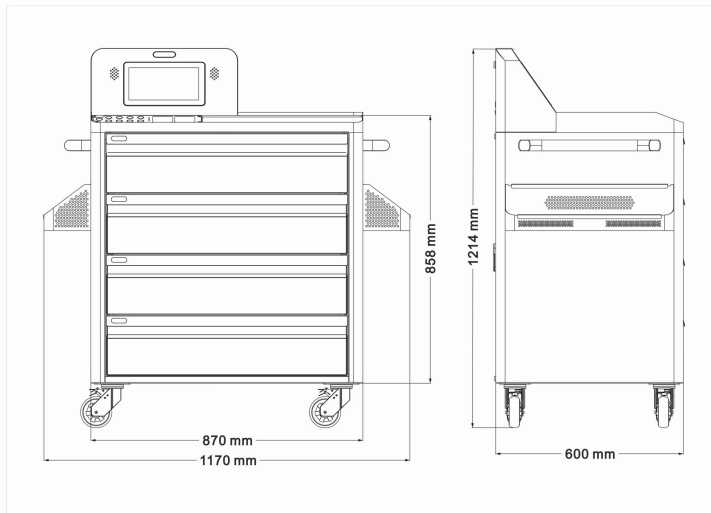
- **Related Model**

CYKEO-GTC7

- **Common Solution**

Smart Library, Archival Room, Tool Room, Supermarket, etc.

- **Dimension**



Unit : mm (inch)  
Weight. : about 200kg

- **Accessory**

| serial number | name         | units | quantity |
|---------------|--------------|-------|----------|
| 1             | power supply | pcs   | 1        |
|               |              |       |          |
|               |              |       |          |



# RFID IoT Application



Need Advice



Subscribe

Follow us: [Cykeo](#)



## Headquarters

Cykeo Information Technology CO., LTD.  
16th floor, Building B2, Yunzhi Science Park, Guangming District,  
Shenzhen 518107, China

## Factory

Shenzhen, Dongguang, Hefei

## Subsidiary

Hefei Jiانشen InformationTechnology Co.,  
LTD.  
Cykeo Information Technology(Shandong) Co., LTD.  
Cykeo Information Technology(Chengdu) Co., LTD.  
Cykeo Core Information Technology (Shanghai) Co., LTD.