

CYKEO-GTC4

INDUSTRIAL RFID TOOL CART



Applicable to tool room, maintenance workshop, fire protection, nuclear power, railway rail transit and other use of UHF RFID technology to intelligent control of tools, documents, express and other items with UHF RFID tags, and real-time inventory of items in the cabinet. Record the information of the door opener, and support real-time upload, safety equipment rights management, quantity statistics, sound and light alarm and other functions

- 14-inch capacitive touch screen with resolution
- RFID technology 840~960MHz optional, support protocol extension
- Multiple interfaces: RJ45, wifi, 4G, alarm input etc
- Support Independent RFID record, optional Windows/Android system
- Saving manual inventory time and warehouse registration procedures, improve management and control efficiency, timely reminder of tool omissions to ensure safe use

● Specification

Model	CYKEO-GTC4
 RF SPECIFICATION	
Identification Method	UHF
RF Chip	Impinj R2000
Frequency Range	840MHz~960MHz adjustable
Protocol	EPC C1G2, ISO 18000-6B, ISO 18000-6C
Frequency Band (Optional)	ETSI: 865~868MHz, JP: 916.8~920.4MHz, TW: 922.25~927.75MHz, ID: 923.125~925.125MHz, RUS: 866.6~867.4 MHz, TEST: 802.75~998.75MHz, JP_LBT: 916.8~920.8MHz
Product Capacity	300 pcs (according of item size)
Communication	RJ45 10/100Mbps
Function	RFID read function, Multiple label identification, Label data filtering, RSSI perception, Quantity statistics
 HARDWARE SPECIFICATION	
System	Windows / Android (optional)
Hardware	I5 CPU, 4G RAM, 128G ROM / RK3399 CPU, 4GRAM, 16G ROM (optional)
Display	14-inch capacitive touch screen (optional)
Communication	RJ45 10/100Mbps
 FUNCTION SELECTION	
RFID Card Reader	Standard
Face Recognition	Optional
Bar Code	Optional
QR Code	Optional
Fingerprint Recognition	Optional
Sound Light Alarm	Optional

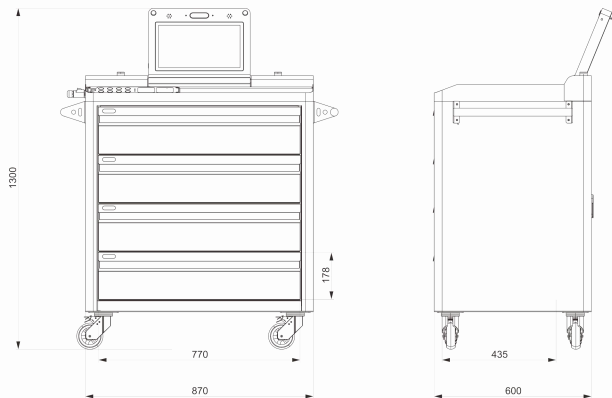
- Related Model

CYKEO-GTC8

- Common Solution

Smart Library, Archival Room, Tool Room, Supermarket, etc.

- Dimension



Unit : mm (inch)
Weight. : about 200kg

- Accessory

serial number	name	units	quantity
1	power supply	pcs	1



RFID IoT Application



Need Advice



Subscribe

Follow us: [Cykeo](#)



Headquarters

Cykeo Information Technology CO., LTD.
16th floor, Building B2, Yunzhi Science Park, Guangming District,
Shenzhen 518107, China

Factory

Shenzhen, Dongguang, Hefei

Subsidiary

Hefei Jianshen InformationTechnology Co.,
LTD.
Cykeo Information Technology(Shandong) Co., LTD.
Cykeo Information Technology(Chengdu) Co., LTD.
Cykeo Core Information Technology (Shanghai) Co., LTD.