

CYKEO-DP2A

## UHF RFID LIBRARY WORKSTATION



The CYKEO-DP2A UHF RFID Library Workstation revolutionizes asset registration and tracking with its integrated 21.5" capacitive touchscreen, ultra-precise RFID recognition (ISO 18000-6C), and multi-authentication capabilities. Engineered for high-volume operations, it processes 50+ tags per minute within a controlled 50cm read zone while supporting optional modules like QR code scanning and facial recognition.

- 21.5-inch capacitive touch screen with 1920 × 1080 resolution
- RFID technology 840~960MHz optional, support protocol extension
- Multiple communication interfaces: RJ45
- Support multiple permission setting, function expansion
- Support registration of card information, optional Windows/Android system
- Product appearance, function, protocols etc support customization

## ● Specification

<b>Model</b>	CYKEO-DP2A
<b>  RF SPECIFICATION</b>	
Identification Method	UHF
RF Chip	Impinj R2000
Frequency Range	840MHz~960MHz adjustable
Protocol	EPC C1G2, ISO 18000-6B, ISO 18000-6C
Frequency Band (Optional)	ETSI: 865~868MHz, JP: 916.8~920.4MHz, TW: 922.25~927.75MHz, ID: 923.125~925.125MHz, RUS: 866.6~867.4 MHz, TEST: 802.75~998.75MHz, JP_LBT: 916.8~920.8MHz
Function	RFID read function, Multiple label identification, Label data filtering, RSSI perception, Quantity statistics
RFID Item reader	15pcs (Depends on item size)
<b>  HARDWARE SPECIFICATION</b>	
System	Windows / Android (optional)
Hardware	I5 CPU, 4G RAM, 128G ROM / RK3399 CPU, 4GRAM, 16G ROM (optional)
Display	1920x1080, 22-inch capacitive touch screen
Communication	RJ45 10 / 100Mbps
Other Interface	2xUSB 2.0
<b>   FUNCTION SELECTION</b>	
RFID Card Reader	Standard
Face Recognition	Optional
Bar Code	Standard
QR Code	Standard
Sound Light Alarm	Optional
Fingerprint Recognition	Optional



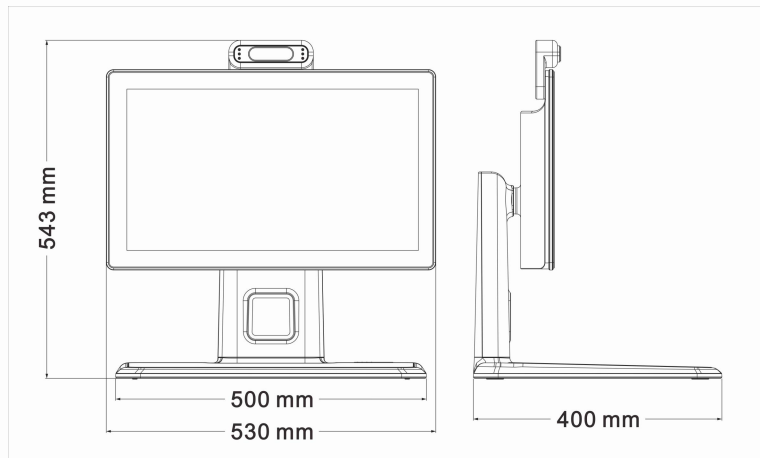
- Related Model

/

- Common Solution

Smart Library, Archival Room, Tool Room, Supermarket, etc.

- Dimension



Unit : mm (inch)  
Weight. : about 36kg

- Accessory

serial number	name	units	quantity
1	power supply	pcs	1



# RFID IoT Application



Need Advice



Subscribe

Follow us: [Cykeo](#)



## Headquarters

Cykeo Information Technology CO., LTD.  
16th floor, Building B2, Yunzhi Science Park, Guangming District,  
Shenzhen 518107, China

## Factory

Shenzhen, Dongguang, Hefei

## Subsidiary

Hefei Jianshen InformationTechnology Co.,  
LTD.  
Cykeo Information Technology (Shandong) Co., LTD.  
Cykeo Information Technology (Chengdu) Co., LTD.  
Cykeo Core Information Technology (Shanghai) Co., LTD.