

## CYKEO-DP14B

## DESKTOP RFID WORKSTATION



The CYKEO-DP14B Desktop RFID Workstation is a high-performance, all-in-one terminal designed for centralized asset and tool management. It excels in environments requiring strict accountability, enabling rapid check-in/check-out of up to 200 items simultaneously via UHF RFID technology. The large 21.5-inch capacitive touchscreen provides an intuitive interface for operators, while integrated badge reading ensures secure user authentication. Supporting both Windows and Android OS, it seamlessly integrates into existing workflows for sectors like public security, healthcare, and utilities, streamlining inventory processes from registration to audit.

- 21.5-inch capacitive touch screen with 1920 × 1080 resolution
- Multiple communication interfaces: RJ45, wifi, 4G etc
- Support multiple permission setting, function expansion
- Support registration of card information, optional Windows/Android system
- Product appearance, function, protocols etc support customization

## ● Specification

Model	CYKEO-DP14B
<b>  RF SPECIFICATION</b>	
Identification Method	UHF
Frequency Range	840MHz~960MHz
Protocol	UHF: EPC C1G2, ISO 18000-6B, ISO 18000-6C
Frequency Band (Optional)	ETSI: 865~868MHz, JP: 916.8~920.4MHz, TW: 922.25~927.75MHz, ID: 923.125~925.125MHz, RUS: 866.6~867.4 MHz, TEST: 802.75~998.75MHz, JP_LBT: 916.8~920.8MHz
RFID Item Reader	10 pcs
Function	Read & write function, Multiple label identification, Label data filtering, RSSI perception, Quantity statistics, Self-service card application
<b>  HARDWARE SPECIFICATION</b>	
System Support	Windows / Android (optional)
Hardware	I5 CPU, 4G RAM, 128G ROM RK3399 CPU, 4G RAM, 16G ROM (optional)
Display	1920 x 1080, 21.5-inch capacitive touch screen
Communication	RJ45 10/100Mbps
<b>  FUNCTION SELECTION</b>	
RFID Read and Write	Standard
Bar Code	Optional
QR Code	Optional
Fingerprint Recognition	Optional

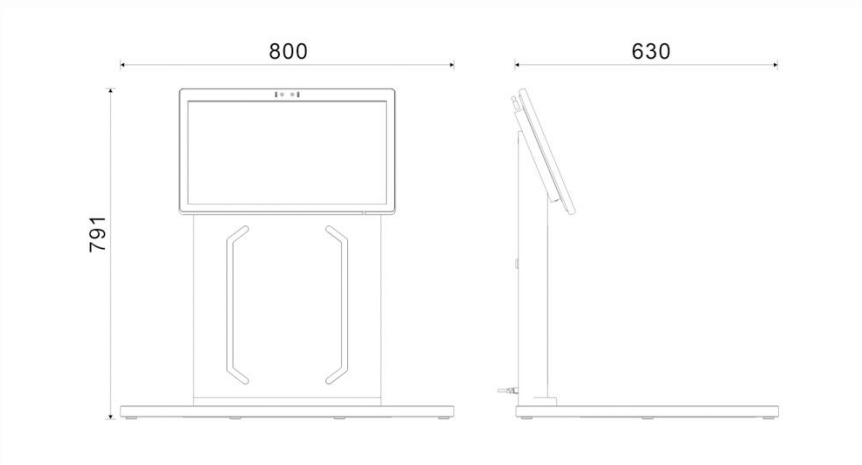


- Related Model

- Common Solution

Smart Library, Archival Room, Tool Room, Supermarket, etc.

- Dimension



Unit : mm (inch)  
Weight. : about 100kg

- Accessory

serial number	name	units	quantity
1	power supply	pcs	1



# RFID IoT Application



Need Advice



Subscribe

Follow us: [Cykeo](#)



## Headquarters

Cykeo Information Technology CO., LTD.  
16th floor, Building B2, Yunzhi Science Park, Guangming District,  
Shenzhen 518107, China

## Factory

Shenzhen, Dongguang, Hefei

## Subsidiary

Hefei Jianshen InformationTechnology Co.,  
LTD.  
Cykeo Information Technology(Shandong) Co., LTD.  
Cykeo Information Technology(Chengdu) Co., LTD.  
Cykeo Core Information Technology (Shanghai) Co., LTD.