

CYKEO-DP13

RFID Smart Workstation Terminal



Applicable to Tool room, library, bank, unmanned supermarket, hospital and other UHF RFID tag items read and write, Items taken out and returned, Self-service certificate processing, information registration, payment collection, voucher printing other functions

- 24-inch capacitive touch screen with 1920 × 1080 resolution
- RFID technology 840~960MHz optional, support protocol extension
- Multiple communication interfaces: RJ45, wifi, 4G etc
- Support multiple permission setting, function expansion
- Support registration of card information, optional Windows/Android system

● Specification

| | |
|---------------------------------|--|
| Model | CYKEO-DP13 |
| RF SPECIFICATION | |
| Identification Method | UHF |
| RF Chip | Impinj R2000 |
| Frequency Range | 840MHz~960MHz adjustable |
| Protocol | EPC C1G2, ISO 18000-6B, ISO 18000-6C |
| Frequency Band (Optional) | ETSI: 865~868MHz, JP: 916.8~920.4MHz, TW: 922.25~927.75MHz, ID: 923.125~925.125MHz, RUS: 866.6~867.4 MHz, TEST: 802.75~998.75MHz, JP_LBT: 916.8~920.8MHz |
| RFID Item Reader | 10 pcs |
| Function | RFID read & write, Multiple label identification, Label data filtering, Quantity statistics, RSSI perception, Self-service card application |
| HARDWARE SPECIFICATION | |
| System Support | Windows / Android (optional) |
| Hardware | I5 CPU, 4G RAM, 128G ROM RK3399 CPU, 4G RAM, 16G ROM (optional) |
| Display | 1920×1080, 22-inch capacitive touch screen |
| Communication | RJ45 10/100Mbps |
| Other Interface | 2 x USB 2.0 |
| FUNCTION SELECTION | |
| Bar Code | Standard |
| QR Code | Optional |
| Fingerprint Recognition | Optional |
| Face Recognition | Optional |
| Sound Light Alarm | Optional |
| Keyboard | Optional |

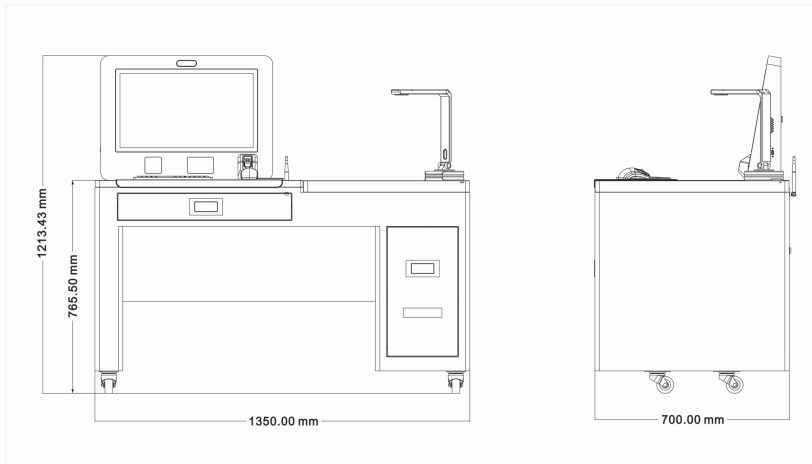
- **Related Model**

CYKEO-DP3,

- **Common Solution**

Smart Library, Archival Room, Tool Room, Supermarket, etc.

- **Dimension**



Unit : mm (inch)
 Weight. : about 150
 kg

- **Accessory**

| serial number | name | units | quantity |
|---------------|--------------|-------|----------|
| 1 | power supply | pcs | 1 |
| | | | |
| | | | |



RFID IoT Application



Need Advice



Subscribe

Follow us: [Cykeo](#)



Headquarters

Cykeo Information Technology CO., LTD.
16th floor, Building B2, Yunzhi Science Park, Guangming District,
Shenzhen 518107, China

Factory

Shenzhen, Dongguang, Hefei

Subsidiary

Hefei Jianshen InformationTechnology Co.,
LTD.
Cykeo Information Technology(Shandong) Co., LTD.
Cykeo Information Technology(Chengdu) Co., LTD.
Cykeo Core Information Technology (Shanghai) Co., LTD.