

CYKEO-D4L

Desktop UHF RFID Tag Reader



Desktop tag card reader for RFID tags and items binding initialization, with readable and writable functions, switch cursor output mode, easy to organize Excel documents

- Support fast reading and writing, Identify 20pcs at a time, batch export label information files
- RFID technology 840~960MHz optional, support protocol extension
- Near-field antenna, effective reading range of 5cm, write range of 3cm
- Communication interfaces: RS232 / RJ45, USB-C (optailed)

● Specification

Model	CYKEO-D4L
 RF SPECIFICATION	
Identification Method	UHF
RF Chip	Impinj R2000
Frequency Range	840MHz~960MHz
Protocol Support	EPC C1G2, ISO 18000-6B, ISO 18000-6C
Frequency Band (Optional)	ETSI: 865~868MHz JP: 916.8~920.4MHz TW: 922.25~927.75MHz ID: 923.125~925.125MHz RUS: 866.6~867.4 MHz TEST: 802.75~998.75MHz JP_LBT: 916.8~920.8MHz
Response speed	400t /s
Antenna Gain	1-30 dbm adjustable
Read Distance	40 cm adjustable
Reading radius	300 mm
Communication	RJ45, RS232
Function	RFID read & write, Multiple label identification (For more RFID tag features, please use Cykeo tag application software)
 BASIC SPECIFICATION	
Material	Aluminum
Power Supply	220V
Working Humidity	10%RH~90%RH
Operat Temperature	0 °C ~ 60 °C
Size	37 x 38 x 2.6 cm
Weight	4.5kg

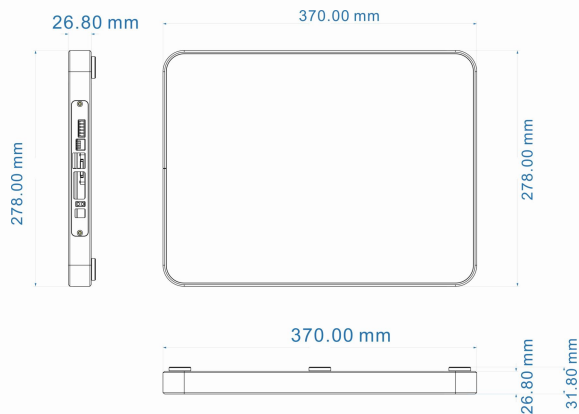
- **Related Model**

CYKEO-D1L, CYKEO-D2L, CYKEO-D4L

- **Common Solution**

Smart Library, Archival Room, Tool Room, Supermarket, etc.

- **Dimension**



Unit : mm (inch)
Weight. : about 4.5kg

- **Accessory**

No.	Item	units	quantity
1	USB A-C Cable	pcs	1
2	power supply	pcs	1



RFID IoT Application



Need Advice



Subscribe

Follow us: [Cykeo](#)



Headquarters

Cykeo Information Technology CO., LTD.
16th floor, Building B2, Yunzhi Science Park, Guangming District,
Shenzhen 518107, China

Factory

Shenzhen, Dongguang, Hefei

Subsidiary

Hefei Jianshen InformationTechnology Co.,
LTD.
Cykeo Information Technology (Shandong) Co., LTD.
Cykeo Information Technology (Chengdu) Co., LTD.
Cykeo Core Information Technology (Shanghai) Co., LTD.