

## CYKEO-B1

## RFID SMART TOOL BAG



The CYKEO-B1 RFID Smart Tool Bag is an intelligent field maintenance solution designed to prevent tool loss in critical operations. Utilizing ISO18000-6C UHF RFID technology, it automatically tracks up to 40 tools with rapid <2-second scanning capability. The bag features a one-button locking system, automatic exit inventory checks, and instant audible alerts for missing tools. With Bluetooth connectivity for mobile app control and optional 4G/GPS tracking, it ensures complete tool accountability in railway, aviation, and power plant maintenance environments, significantly enhancing worksite safety.

- RFID technology 840~960MHz optional, support protocol extension
- One-Button Tool Lock/Unlock with <2s Response
- Exit Auto-Check and Real-Time Missing Tool Alert
- 7-Day Battery Life with 4G/GPS Optional Tracking

- Specification

Model	CYKEO-B1
<b>  RF SPECIFICATION</b>	
Identification Method	UHF
RF Chip	Impinj R2000
Frequency Range	840MHz~960MHz adjustable
Protocol	EPC C1G2, ISO 18000-6B, ISO 18000-6C
Product Capacity	100 pcs (according of item size)
Communication	RS232
Material	Multi-layer composite shielding material, waterproof and wear-resistant
Function	RFID read function, Multiple label identification, Label data filtering, RSSI perception, Quantity statistics
<b>  HARDWARE SPECIFICATION</b>	
Charging	Type-C, DC 5V/2A
Battery capacity	10000mAH
Display	0.96 OLED
Communication	RJ45 10/100Mbps
<b>  BASIC SPECIFICATION</b>	
Power Supply	DC 5V/2A
Working Humidity	10%RH~90%RH
Operat Temperature	0 °C ~ 60 °C
Size	420mm*280mm*220mm

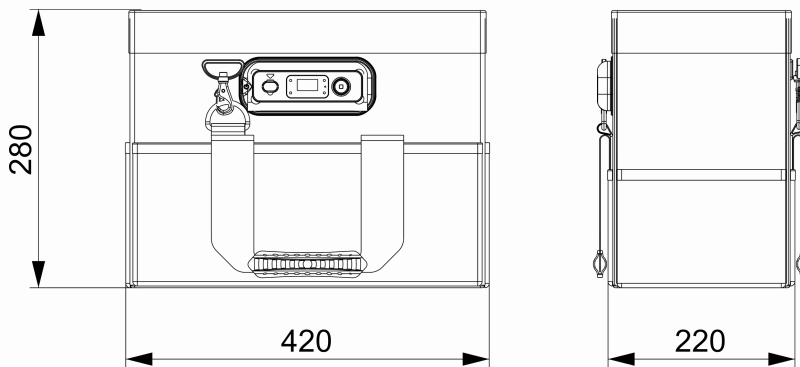
- **Related Model**

CYKEO-B1A

- **Common Solution**

Smart Library, Archival Room, Tool Room, Supermarket, etc.

- **Dimension**



Unit : mm (inch)  
Weight. : about 2850g

- **Accessory**

serial number	name	units	quantity
1	power supply	pcs	1



# RFID IoT Application



Need Advice



Subscribe

Follow us: [Cykeo](#)



## Headquarters

Cykeo Information Technology CO., LTD.  
16th floor, Building B2, Yunzhi Science Park, Guangming District,  
Shenzhen 518107, China

## Factory

Shenzhen, Dongguang, Hefei

## Subsidiary

Hefei Jianshen InformationTechnology Co.,  
LTD.  
Cykeo Information Technology(Shandong) Co., LTD.  
Cykeo Information Technology(Chengdu) Co., LTD.  
Cykeo Core Information Technology (Shanghai) Co., LTD.