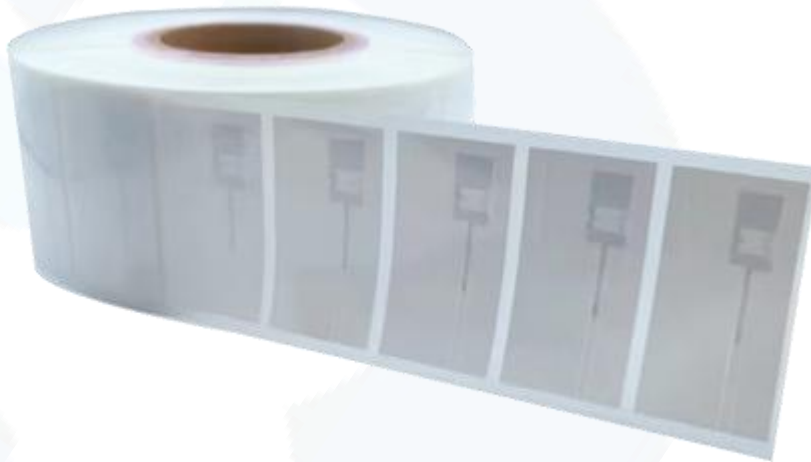


CYKEO-68-26

JEWELRY RFID TAG



The CYKEO-68-26 Jewelry RFID Tag redefines high-value asset management with NXP UCODE 9 chipset technology, delivering 8-meter read range on metal surfaces - a breakthrough for luxury retail and auction houses. Engineered with 50 μ m PET substrate, it withstands 100,000 programming cycles while maintaining data integrity for a decade. Its EPC+User+TID+Password memory architecture enables multi-layer authentication, critical for preventing counterfeit luxury goods.

- 8m Long-Range Metal Surface Readability
- 100,000+ Write Cycles with 10-Year Data Retention
- ISO/IEC 18000-6C & EPC Gen2 Certified

● Specification

Model	CYKEO-68-26
 RF SPECIFICATION	
Identification Method	UHF
chip	NXP UCODE 9
Frequency Range	840MHz~960MHz
Protocol	EPC C1G2, ISO 18000-6B, ISO 18000-6C
Base material	PET
Memory	
EPC	96bits
User	48bit
TID	96 bits
 BASIC SPECIFICATION	
size	68*26MM
IC Life	100, 000 Programming cycles, 10years data retention
Read range	5 M
Operating Temperature	-25° C to +50° C
Humidi	50%±10% RH
Storag	-25° C to +50° C

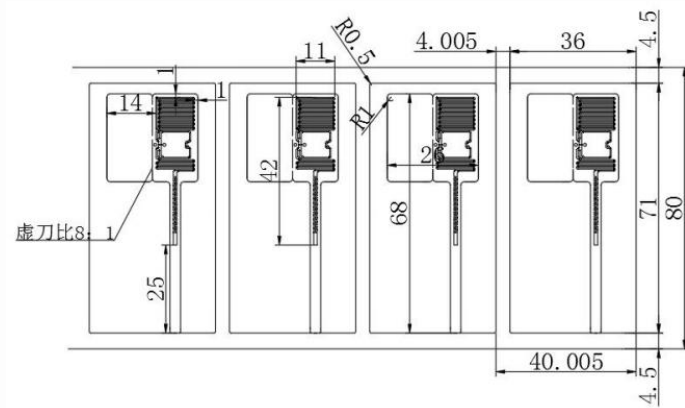


- Related Model

- Common Solution

Smart Library, Archival Room, Tool Room, Supermarket, etc.

- Dimension



Unit : mm (inch)

Weight. : about 0.1g

- Accessory

No.	item	units	quantity



RFID IoT Application



Need Advice



Subscribe

Follow us: [Cykeo](#)



Headquarters

Cykeo Information Technology CO., LTD.
16th floor, Building B2, Yunzhi Science Park, Guangming District,
Shenzhen 518107, China

Factory

Shenzhen, Dongguang, Hefei

Subsidiary

Hefei Jianshen InformationTechnology Co.,
LTD.
Cykeo Information Technology(Shandong) Co., LTD.
Cykeo Information Technology(Chengdu) Co., LTD.
Cykeo Core Information Technology (Shanghai) Co., LTD.